



Introducing:

THE 007

**STAND ALONE FINGER PRINT READER
ACCESS CONTROL SYSTEM**

- 120 finger prints
- Weather resistant
- Remote Infrared programmer
- Lock Release Relay, NO and NC, 12 Volt DC System
- Rex circuit
- Programmable lock release time
- Compact Size: 4.5" x 2.75" x 1.375"
- Two year warranty
- Easy to program
- One second activation time, after placing finger on reader
- Sleep mode, built in PIR to wake unit from sleep mode

ESP

ELECTRONIC SYSTEM PRODUCTS CO., INC.

3588 Hwy., 138 S.E. • Suite 148 • Stockbridge, GA 30281
V-Mail 1-800-595-5008 • Fax 770-473-4035

www.youvegotESP.com



Access control so simple.
Anyone can use it!



SUITED FOR ANY INSTALLATION:

RESIDENTIAL -

Homes, Car parks, Apartments and common entry access

OFFICES -

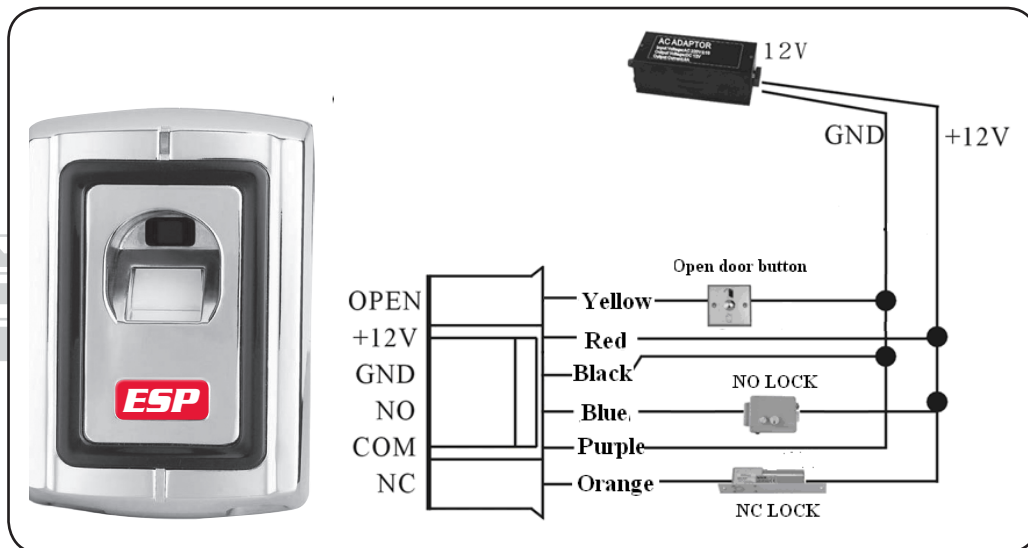
Office, Reception areas, Server rooms, Warehouses, Staff Car parks

RETAIL -

Staff access to shops, Shared facilities, Managers Offices, Cash Areas

THE 007

CONNECTION DIAGRAM



4 Common power connects diagram